

## D6-7-660-50

### Key features

Visible Light  $\lambda = 660\text{nm}$   
Output Power = 50mW  
Package Type= 5.6mm $\Phi$

### Applications

Laser Pointer & General Purpose Red Laser Light Source  
Bar Code Reader & High Precision Measuring Instruments  
Laser Module & High Precision Engineering Instruments

### Electrical and Optical Characteristics at $T_c = 25^\circ\text{C}$

Item	Symbols	Min.	Typ.	Max.	Unit	Condition
Optical Output Power	Po	-	50	-	mW	-
Threshold Current	Ith	30	45	60	mA	Po=50mW
Operating Current	Iop	-	90	120	mA	Po=50mW
Differential Efficiency	SE	-	1	-	mW/mA	Po=50mW
Monitor Current	Im	0.01	0.3	1	mA	Po=50mW
Operating Voltage	Vop	-	2.6	3	V	Po=50mW
Peak Wavelength	$\lambda_p$	653	660	667	nm	Po=50mW
Beam Divergence	$\theta_{//}$	6	9	12	deg	Po=50mW
	$\theta_{\perp}$	15	20	25	deg	Po=50mW
Beam Deviation Angle	$\Delta\theta_{//}$	-3	-	3	deg	Po=50mW
	$\Delta\theta_{\perp}$	-3	-	3	deg	Po=50mW

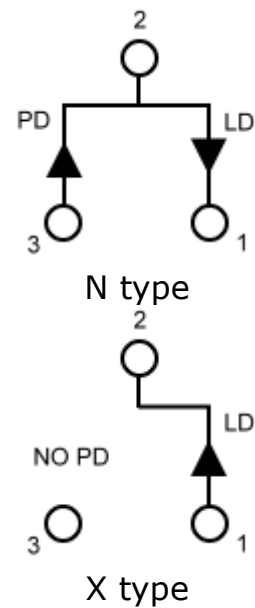
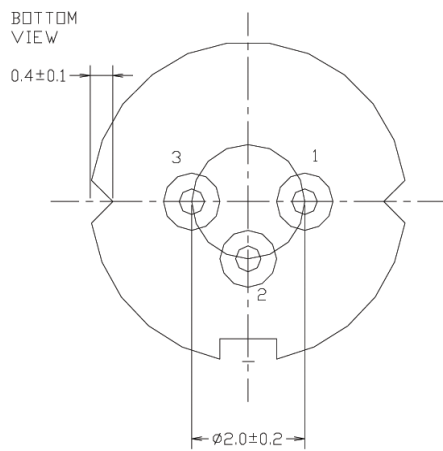
# Egismos Red Laser Diode

## Absolute Maximum Rating at Tc=25°C

Items	Symbols	Values	Unit
Optical Output Power	Po(CW)	60	mW
Laser Diode Reverse Voltage	V	2	V
Photo Diode Reverse Voltage	V	30	V
Operating Temperature	To	-10~+75	°C
Storage Temperature	Ts	-40~+85	°C

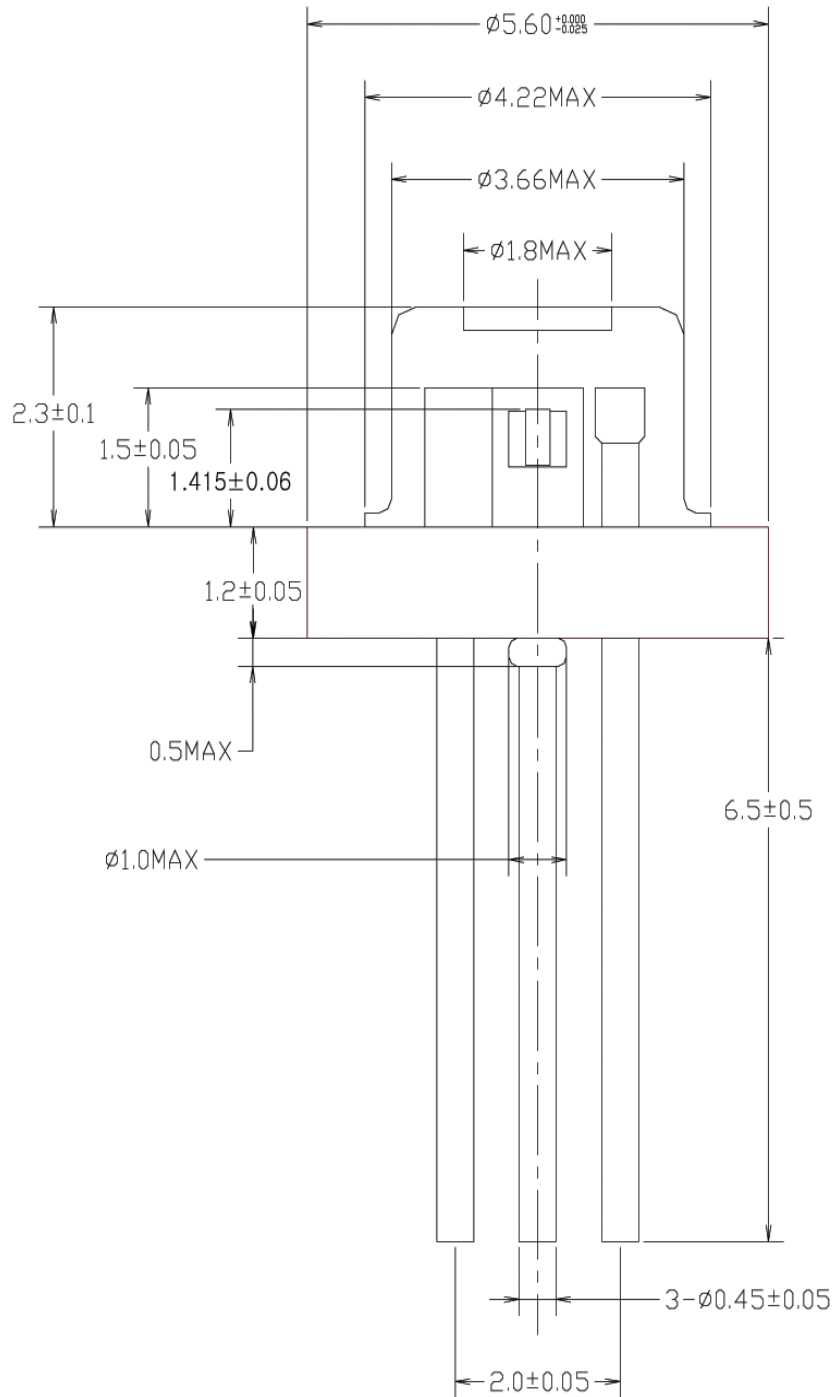
## Electrical Connection

## Package Type



# EGISMOS Red Laser Diode

## Package Drawing



D6766050-a

**EGISMOS**

www.egismos.com  
TEL: +1-360-389-3347  
FAX: +1-360-326-7275  
sales@egismos.com